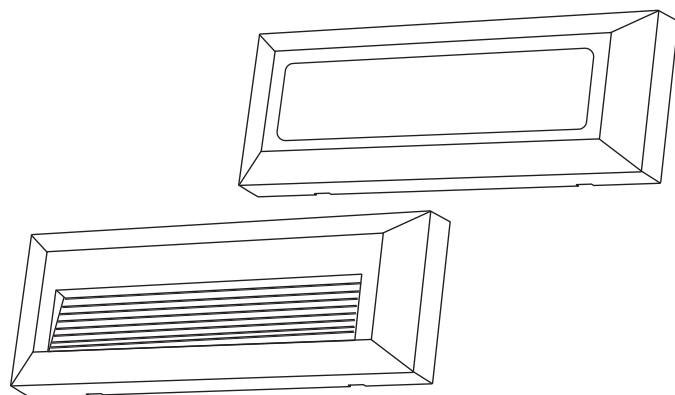




INSTALLATION & SAFETY INSTRUCTIONS



MODEL: BLS6CT1 & BLS6CT2

**These instructions are for guidelines only
Read these instructions fully before using the Brick light.
Retain these instructions for future reference.**

PLEASE CONSULT A QUALIFIED ELECTRICIAN

General safety instructions

- Ensure mains power is disconnected & switched off when installing the bulkhead
- Never look directly into the LED light source. The light emitted can contain the colour blue.
- To clean: Ensure that the wall light is disconnected from the mains and cannot be unintentionally reconnected.
- Do not use in rooms in which there is a danger of explosion.
- Do not use near flammable materials.
- Do not place in water or other liquids.
- Never operate with wet hands.
- Never cover the equipment.
- Never operate when the casing is open, or when the wiring casing is missing or damaged, or when the diffuser is defective.
- Never attempt to repair this unit yourself. Repairs should only be carried out by a qualified electrician
- If the supply cord is damaged, stop using the unit immediately & consult a qualified electrician

Manufacturer

HUB UK Group Ltd
8 Marlowe Business Centre,
Orange Street,
Canterbury
CT1 2JA
United Kingdom

E-mail: contact@lighthouse-direct.com
Tel: +44 (0)1342 712 613

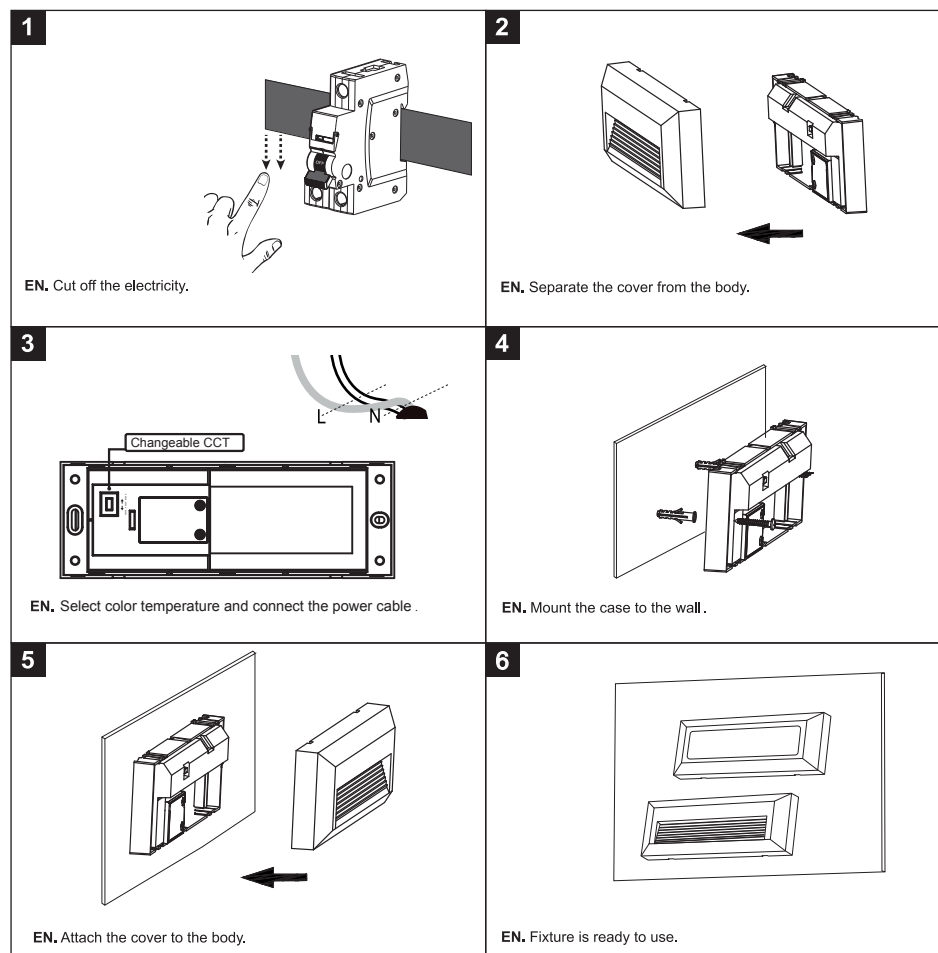
Please contact us if you have any questions or queries regarding the product



Recommendations

- Installation should be carried out in accordance of of the latest I.E.E Wiring Regulations. Please consult a qualified electrician.
- This fitting is non-dimmable.
- IP Rated to IP65
- Class II Double insulated, earth is not required
- This unit has no replaceable parts.

Installation Instructions



Correct Disposal of this product



This marking indicates that this product should not be disposed with other household wastes throughout the EU. To prevent possible harm to the environment or human health from uncontrolled waste disposal, recycle it responsibly to promote the sustainable reuse of material resources. To return your used device, please use the return and collection systems or contact the retailer where the product was purchased. They can take this product for environmental safe recycling.